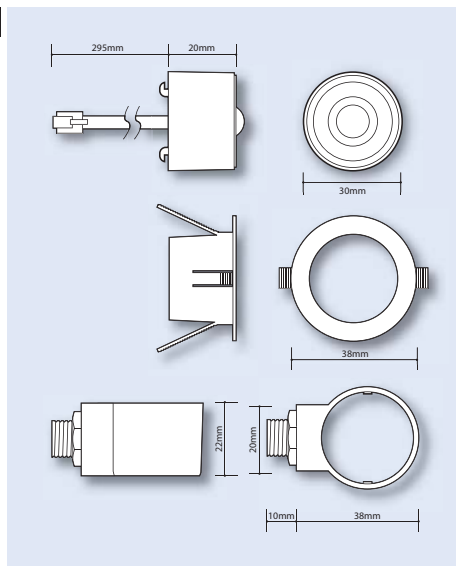
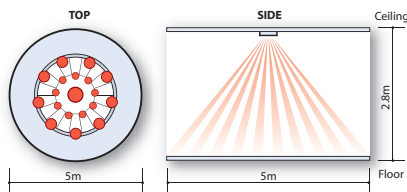


Mini Passive Infra-red Detector

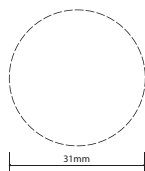


The IS-MINPIR presence detector is designed to provide automatic control of lighting via the RAPID or LMS lighting control systems. It detects movement using a PIR sensor to turn the load on. When an area is no longer occupied the load will switch off after an adjustable time out period.

Detection Pattern...



Hole cut-out



The miniature size together with multiple mounting options make these products ideally suited for mounting in, or attached to, luminaires to provide local control of individual fittings.

An adjustable internal light sensor provides light level information to the lighting control system to allow lights to be kept off if sufficient daylight is present, and to enable maintained illuminance for dimming systems.

An integral IR sensor in the unit allows the unit to be commissioned, and used in conjunction with a remote control handset (part no: UHS) to: act as a conventional dimmer; override the unit on or off; change the maintained illuminance lux setting.

Sensor head, side mounting bracket,	– PA (polyamide)
power supply	– Flame retardant ABS
Flush holder	– PMA (Clear acrylic)
Lens	

Input Voltage: **9V – 18V**

Colour: **RAL 9010**

Temp: **-10°C to +35°C**

Humidity: **90% CH non condensing**

Tel: +44 (0)1252 470027

www.the-is.co.uk

The IS Limited
The Intelligent Solution