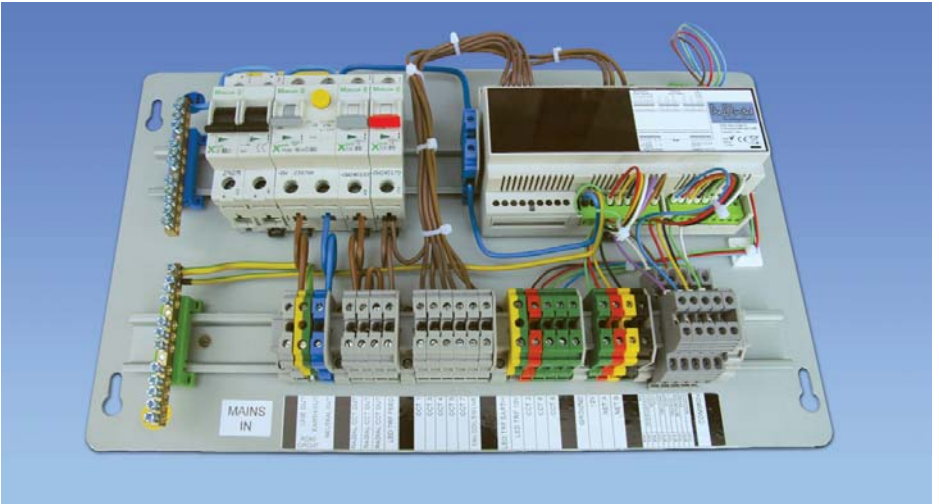
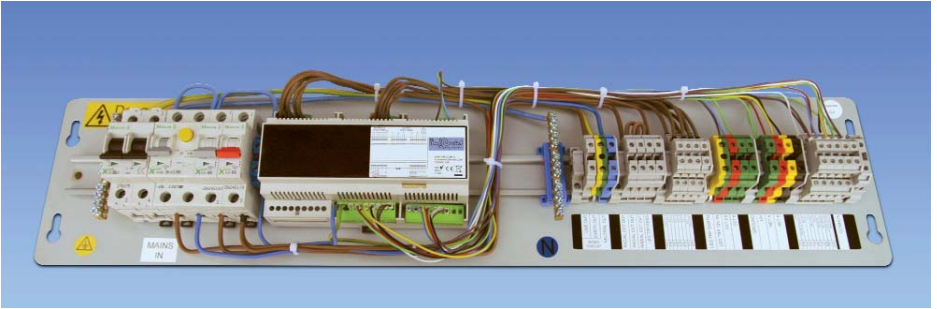


Special Products

2.9.1



Having a specials and design department in-house, we are able to offer design for the needs of customers requirements when it comes to adapting specific hardware, software and wiring needs for almost any lighting control applications.



Tel: +44 (0)1252 470027

www.the-is.co.uk

Specification subject to change without notice

The IS Limited
The Intelligent Solution