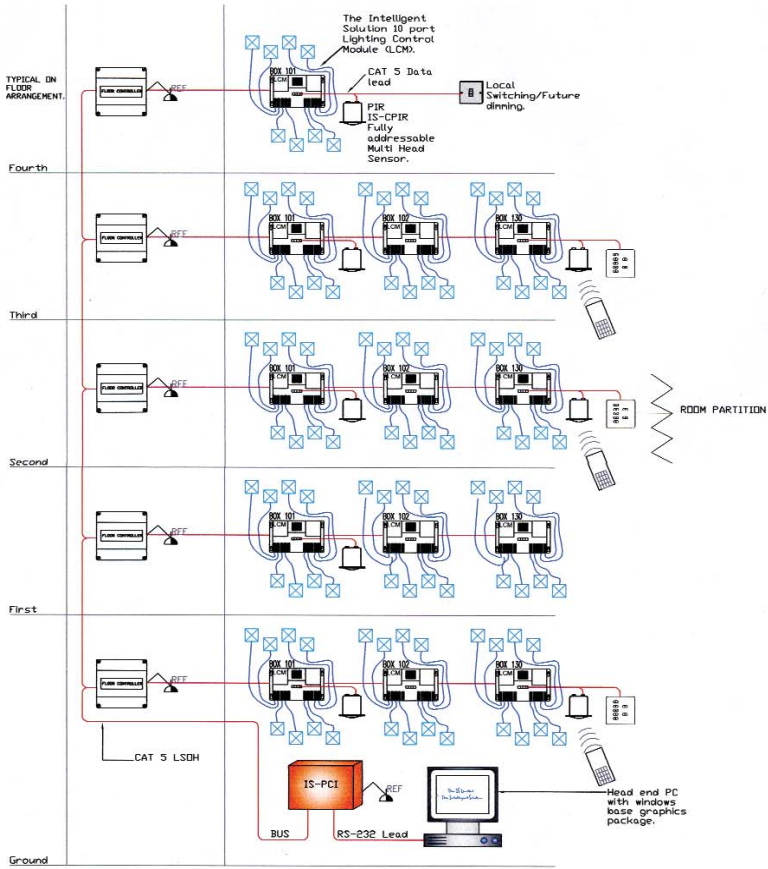


System Schematic



1. Backbone spine cable to be wired in LSOH Cat5, segregated from mains voltage system.
2. Switches to be centre bias momentary action type MK-K4900whi equal or approved wired in LSOH CAT5, 2 cores + common ie 3 cores 1 gang, 5 cores 2 gang, 7 cores 3 gang.
3. Area Controllers to be wired together vertically and connected with a Cat5 cable to an Intelligent Solution IS-PCI interface module connected to a PC based, 'Windows Operating' graphical package for all control functions.

Designed by DMG	Checked by JWT	Approved by - date 24/04/06	File name the is-001	Date 24/04/06	Scale NTS
<p style="text-align: center;"><i>The IS Limited</i> <i>The Intelligent Solution</i></p>			TYPICAL SCHEMATIC		
			the is -001		Edition 1